



- **Standard Analogue phone /SIP phone**
- **Robust housing, constructed of cold rolled steel with powder coat**
- **Vandal resistant handset and armored cord**
- **Wall mounting, simple installation**
- **Weather proof protection to IP54-IP65**
- **Phone line power supply (Analogue)**
- **External power supply or PoE (SIP)**
- **Connection type RJ45**
- **Inductive coupler fitted as standard for hard of hearing**
- **CE, FCC,RoHS,ISO9001 compliant**

The Handset Telephone is designed to meet the needs of client who experience loss through vandalism. Ideal for parking lots, prisons, railway/metro platforms, hospitals, police stations, ATM machines, stadiums, outside building etc.

Housed in cold rolled steel box and manufactured to a high standard, these telephones offer increased resistance to vandalism, and ensure that the primary function of communications is maintained at all times.

Extremely easy to install. The cable entrance is on the back of the phone to prevent from artificial damage, while the keypad is weather and vandal resistant.

Standard Analogue

As a standard analogue telephone, this unit provides basic telephone functions and can be connected to any standard two-wire telephone line, including analogue PABX lines and PSTN.

SIP-VoIP TECHNICAL SPECIFICATIONS

Power Input:

12-24V DC

Port:

WAN: 10/100Base- T RJ-45 for LAN, Auto MDIX

LAN: 10/100Base- T RJ-45 for PC, Auto MDIX

Power Consumption:

Idle:1.5W/ Active:1.8W

Voice Features

- Support SIP 2.0 (RFC3261)
- Codec: G.711A/u, G.7231 high/low, G.729, G.722
- Echo cancellation: Support G.168 and hand-free can support 96ms
- Supports full duplex
- SIP support SIP domain,SIP authentication(none, basic,MD5),DNS name of server
- DTMF:SIP info, DTMF Relay, RFC2833
- Call control features: Flexible dial map, support hot-line

Network Features

- WAN/LAN: support Bridge mode
- Support static IP address
- Support DHCP get IP on WAN port
- Support VLAN
- Support web config

TECHNICAL SPECIFICATIONS

Casing Material

Cold rolled steel body

Colors: GRAY, RED, YELLOW

Handset Material

ABS material handset with stainless steel spiral cord.

Keypad

Weather sealed tactile digital keypad. Chrome key and frame made of zinc alloy. Vandal resistance.

Temperature

Operating: -30°C to +65°C

Storing: -40°C to +75°C

Weather Resistance

IP54-IP65

Ring Tone

Shrill warble tone 80 dBA @ 1 metre typical

Hook switch

Electronic / magnetic with no visible moving parts

M.T.B.F.

Calculated to have an M.T.B.F. in excess of 50,000 hours using

ANALOGUE

Dialing

MF (tone)

Power supply

Drawn from telephone line

Lightning / Transients

Protection to ITU-T k.21 enhanced levels

Programming

Can be programmed as an auto-dial phone

PACKAGE

unit size: 240 *100 *106(mm)

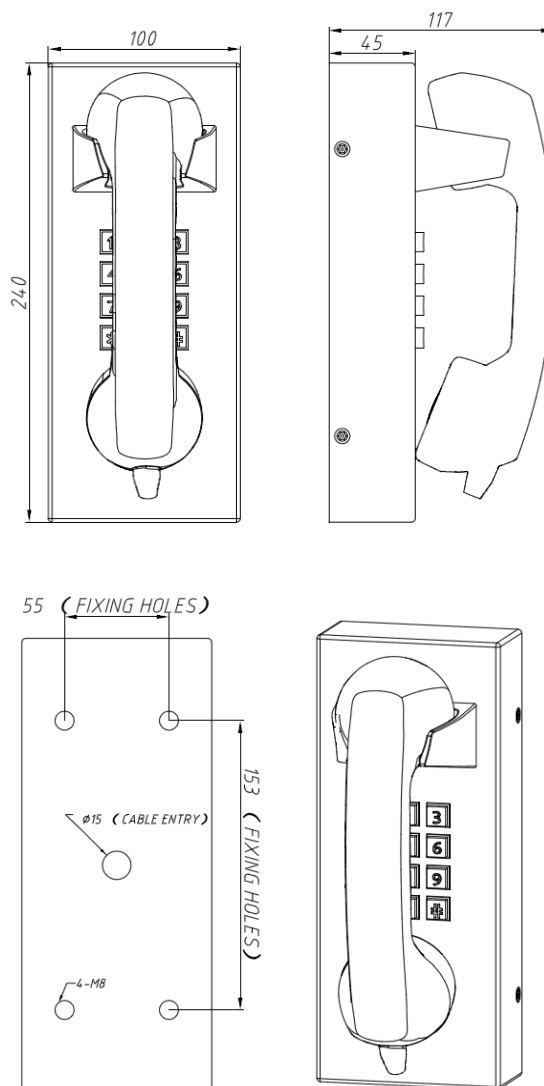
Carton size:340 *235 *165(mm)

Packaging materials: pearl cotton, carton

Net weight: 2.7KG

Gross weight: 3.5KG

DIMENSIONS



(Measured in mm)

APPROVALS



This mark indicates compliance with the:
Radio & Telecommunications Terminal Equipment
Directive
2004/108/EC



This mark indicates compliance with the:
FCC Part 15 Subpart B Class B